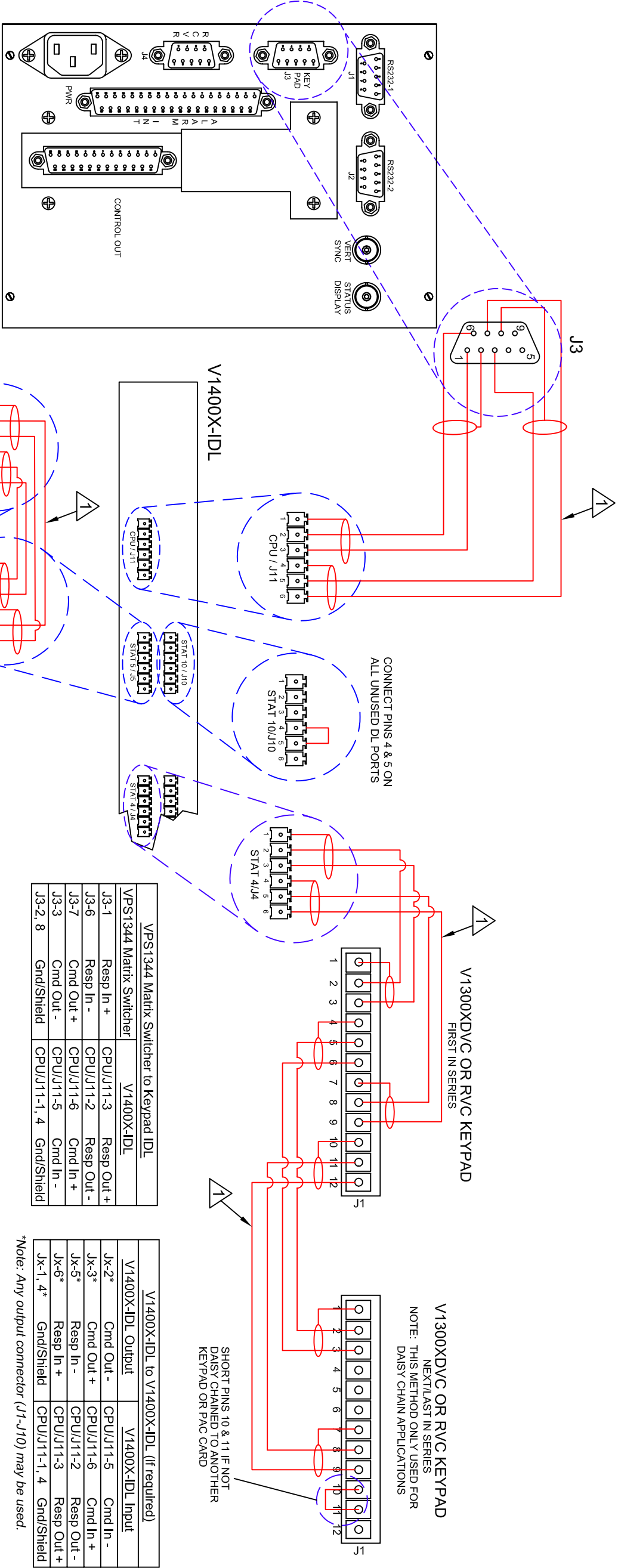


Vicon Industries Inc.  
 Corporate Headquarters  
 89 Arkay Drive  
 Hauppauge, NY 11788  
 631-952-CCTV (2288)  
 Fax 631-951-CCTV  
 Toll Free 1-800-645-9116  
 Tech Support 1-800-34-VICON  
 www.vicon-cctv.com



VPS1344 Matrix Switcher to Keypad IDL	
VPS1344 Matrix Switcher	V1400X-IDL
J3-1 Resp In +	CPU/J11-3 Resp Out +
J3-6 Resp In -	CPU/J11-2 Resp Out -
J3-7 Cmd Out +	CPU/J11-6 Cmd In +
J3-3 Cmd Out -	CPU/J11-5 Cmd In -
J3-2, 8 Gnd/Shield	CPU/J11-1, 4 Gnd/Shield

V1400X-IDL to V1400X-IDL (if required)	
V1400X-IDL Output	V1400X-IDL Input
Jx-2* Cmd Out -	CPU/J11-5 Cmd In -
Jx-3* Cmd Out +	CPU/J11-6 Cmd In +
Jx-5* Resp In -	CPU/J11-2 Resp Out -
Jx-6* Resp In +	CPU/J11-3 Resp Out +
Jx-1, 4* Gnd/Shield	CPU/J11-1, 4 Gnd/Shield

Keypads In Daisy Chain Configuration	
1st V1300X-DVC	2nd V1300X-DVC
TB1-5 Cmd Out -	TB1-2 Cmd In -
TB1-6 Cmd Out +	TB1-3 Cmd In +
TB1-11 Resp In -	TB1-8 Resp Out -
TB1-12 Resp In +	TB1-9 Resp Out +
TB1-4, 10 Gnd/Shield	TB1-1, 7 Gnd/Shield

V1400X-IDL #2 (required only for more than 10 keypads)

Note: When wiring to a connector, remove and discard the terminal 4-5 jumper wire.

This drawing and the contents herein are Copyright 2001 Vicon Industries Incorporated. They are furnished on a confidential basis for the specified purpose as indicated on the drawing itself. Permission is granted to use and copy this drawing freely provided that (a) the intended usage is the connection and operation of Vicon equipment, and (b) any copies contain this notice in its entirety. Vicon makes no representations as to the operability of any described systems or interconnections unless this drawing is specifically marked for construction.

REV: 01 - DDN #1992 - Nov. 2002	REVISIONS
SCALE: NTS	
DATED: 07/02/01	
DRAWN: DM	
CHECKED: C: GB A: GB	
PROJECT:	
TITLE: V1344 CPU TO V1400X-IDL TO V1300X-DVC KEYPAD INTERCONNECT DRAWING	
NUMBER: 1400-0101-20	Rev. 01