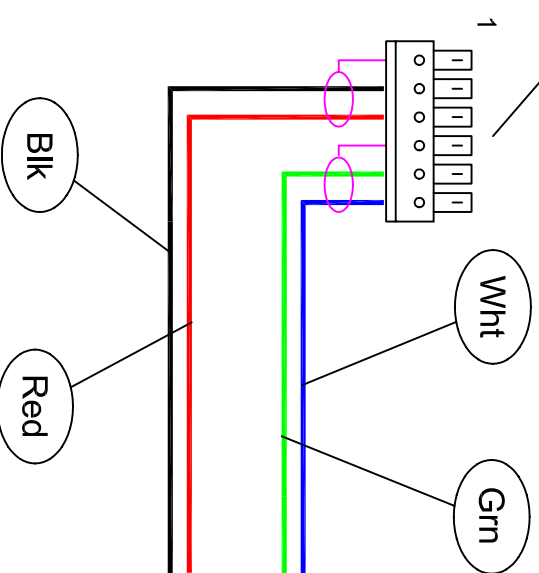
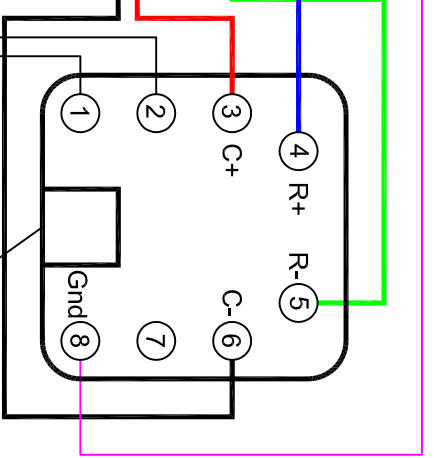


Connects to V1400X-IDL (Keypad) Any Output Connector J1 - J10

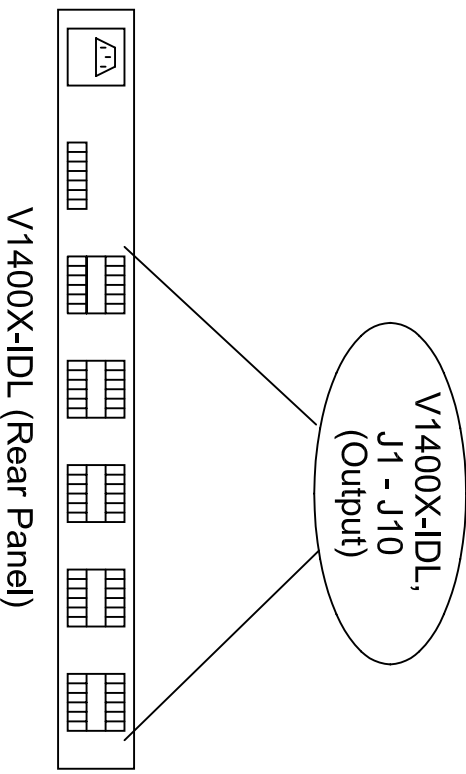


RJ45 Termination Box supplied with V1410X-DVVC



Power Supply 12VDC

Connect to V1410X-DVVC Keypad with provided RJ45 Cable



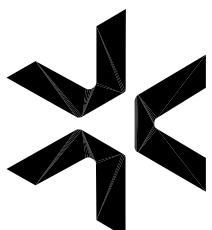
V1400X-IDL (Rear Panel)

- Notes:
1. Connectors are shown from wiring side.
 2. Wire color code is not typical of any particular dual pair, twisted, shielded cable. Colors are shown above for ease of identifying individual wires.
 3. Insure wires are paired as shown in drawing.
 4. Connect to a V1400X-IDL used for Keypads.
 5. Screw numbers shown on drawing for termination box are for reference only. Numbers in box may vary from different manufactures. Orient as above with RJ45 connector facing down.
 6. Provided RJ45 cable is a standard 568-A, 568-B straight pinned patch cord (Vicon p/n: 1806-5417-01)

| V1400X-IDL to V1411X-DVVC RJ45 Termination Box | | | |
|--|-----------------------------|-----------|------------|
| V1400X-IDL | V1410X-DVVC RJ45 Termin Box | | |
| Jx-2* | Cmd Out - | Screw 6 | Cmd In - |
| Jx-3* | Cmd Out + | Screw 3 | Cmd In + |
| Jx-5* | Resp In - | Screw 5 | Resp Out - |
| Jx-6* | Resp In + | Screw 4 | Resp Out + |
| Jx-1, 4* | Gnd/Shield | Screw 8 | Gnd/Shield |
| --- | --- | Screw 1,2 | 12 VDC |

*Note: Any output connector (J1-J10) may be used.

This drawing and the contents herein are Copyright 2002 Vicon Industries Incorporated. They are furnished on a confidential basis for the specified purpose as indicated on the drawing itself. Permission is granted to use and copy this drawing freely provided that (a) the intended usage is the connection and operation of Vicon equipment, and (b) any copies contain this notice in its entirety. Vicon makes no representations as to the operability of any described systems or interconnectors unless this drawing is specifically marked for Construction.



VICON
 Vicon Industries Inc.
 Corporate Headquarters
 89 Arkay Drive
 Hauppauge, NY 11788
 631-952-CCTV (2288)
 Fax 631-951-CCTV
 Toll Free 1-800-645-9116
 Tech Support 1-800-34-VICON
 www.vicon-cctv.com

| | |
|---|---------|
| REV-01 - DDN #1992 - Nov. 2002 | |
| REVISIONS | |
| SCALE: NTS | |
| DATED: 03/14/02 | |
| DRAWN: DJS | |
| CHECKED: C:DM | A:DM |
| PROJECT: Interconnects - Typical | |
| TITLE: Connector Pinouts: V1400X-IDL Output to V1410X-DVVC Keypad | |
| NUMBER: 1400-0103-69 | Rev: 01 |